

PRODUCT CODE: FA3G
CONDUIT ADAPTOR

DESCRIPTION

25mm(Male) - 1" (Female) Conduit Adaptor

FINISH

BZP

MATERIAL

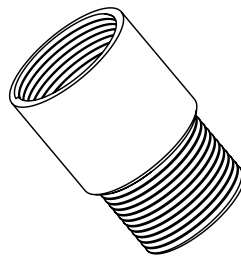
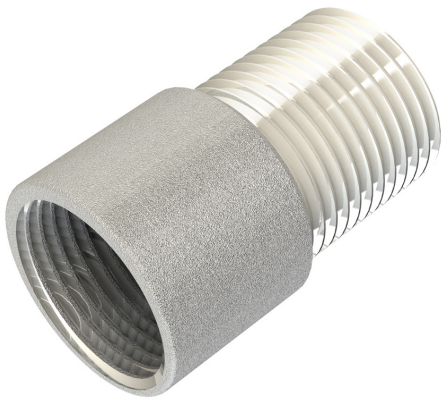
Steel

PACKAGING

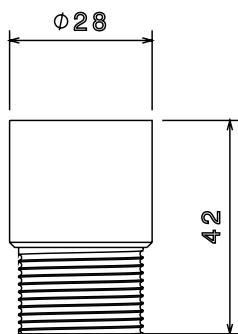
Packed in qty 10

ADDITIONAL NOTES

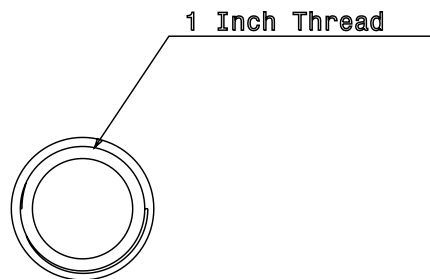
Conforms to BS EN61386-1
Compliant to LU Standard 1-085 (for use on surface & sub-surface locations)



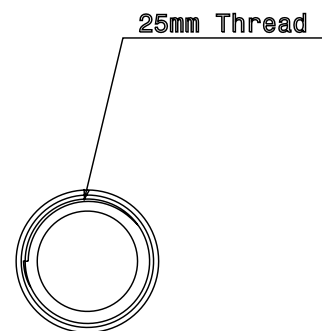
Isometric view



Side view



Top view



Bottom view